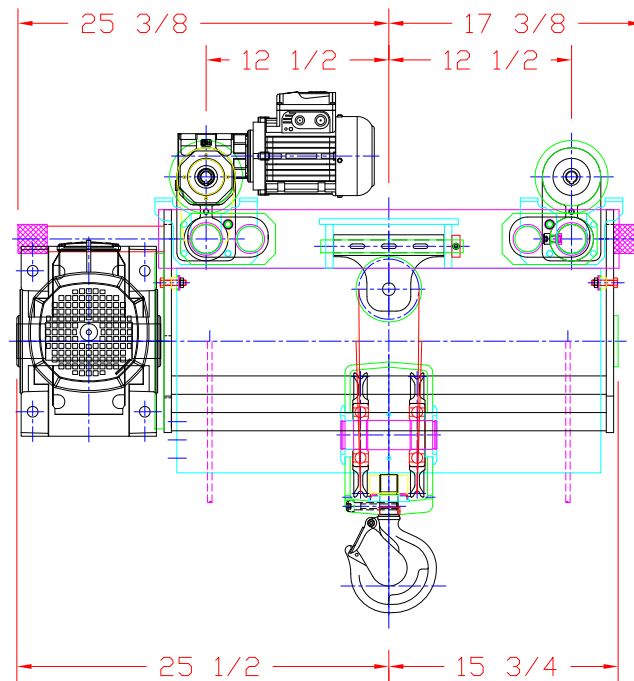
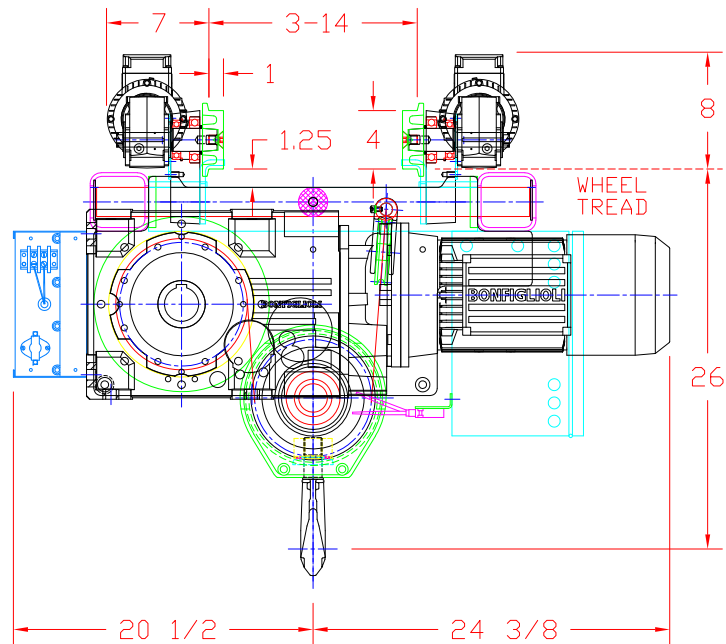
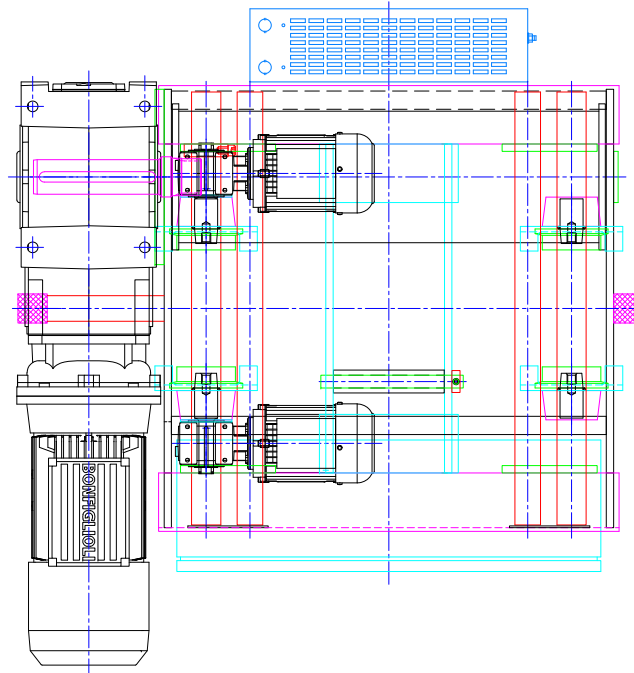


# DETROIT HOIST

CUSTOMER	X	
DWG#	BY: X	DATE: X
MODEL / SERVICE	DRB10M28-26M60 / CMAA CLASS D	
CAPACITY / TECH	5T US / TRUE VERTICAL LIFT	
LIFT / ROPE / I	28' -6" / 3/8 6x36 2PD / ICI125 78: 1	
HOIST SPEED / KW	26 FPM VAR / 6.7KW / 7.5KW VFD	
HOIST / CONTROLS	HELICAL BEVEL / FLUX VECTOR VFD	
	TORQUE PROVING / BRAKE PROVING	
	LOAD FLOAT / ENCODER CONTROL	
TRLY SPEED / KW	60 FPM VAR / 2 x .37KW / 1.5KW VFD	
TRLY / CONTROLS	DUAL WORM / SLV / DYNAMIC BRAKING	
WHEEL LOAD	2950 LBS	
HOIST WEIGHT	1080 LBS	
POWER SUPPLY	230-480V / 3 PHASE / 60HZ	
NO COST OPTIONS		
75HZ HOIST SPEED	32 FPM VAR / UP TO 50% OF LOAD	
90HZ TRLY SPEED	90 FPM VAR / FULL CAPACITY	



NOTE: SOME OPTIONS WILL CHANGE DIMENSIONAL HOIST LAYOUT

NOTE: X

1:1